

A SELECTION FROM THE VAST RANGE OF

Clarke[®]

QUALITY PRODUCTS

AIR COMPRESSORS

From DIY to industrial. Plus air tools, spray guns and accessories.

GENERATORS

Prime duty or emergency standby for business, home and leisure.

POWER WASHERS

Hot and cold, electric and engine driven - we have what you need.

WELDERS

Mig, Arc, Tig and Spot. From DIY to auto/industrial.

METALWORKING

Drills, grinders and saws for DIY and professional use.

WOODWORKING

Saws, sanders, lathes, mortisers and dust extraction.

HYDRAULICS

Cranes, body repair kits, transmission jacks for all types of workshop use.

WATER PUMPS

Submersible, electric and engine driven for DIY, agriculture and industry.

POWER TOOLS

Angle grinders, cordless drill sets, saws and sanders.

STARTER/CHARGERS

All sizes for car & commercial use.



Clarke[®]

air



SPOT BLAST GUN

MODEL NO: SB4

PART No: 5091103

Clarke INTERNATIONAL

For spare parts and servicing, please contact your nearest dealer, or Clarke International on

020 - 8988 - 7400

e-mail: Parts@clarkeinternational.com e-mail: Service@clarkeinternational.com

OPERATION & MAINTENANCE INSTRUCTIONS



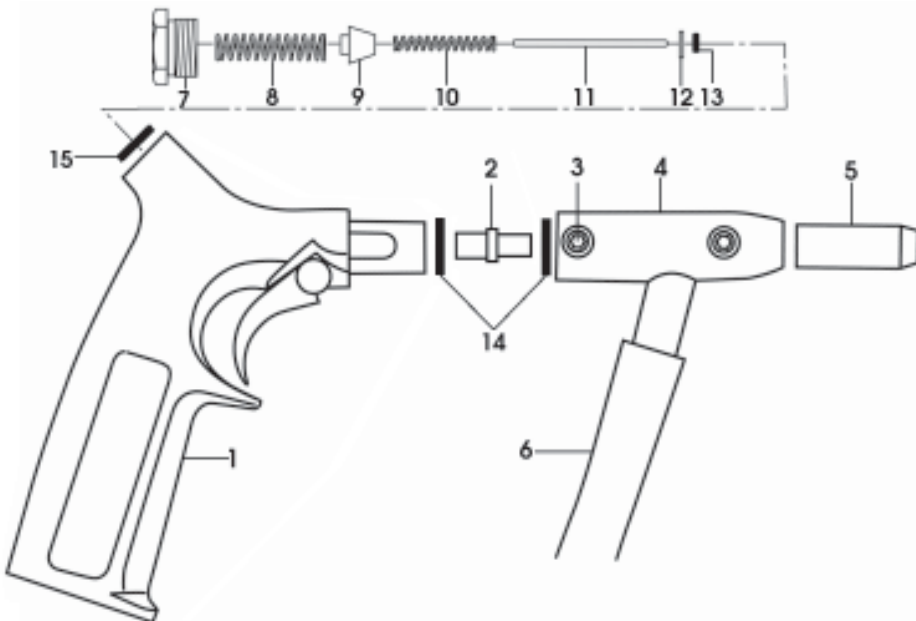
SPECIFICATIONS

Model :	SB4
Part No :	5091103
Air Consumption @ 90PSI :	15 cfm
Air Inlet Connector :	¼" BSP
Nozzle :	6 mm
Operating Pressure :	5.5-6.5bar
Hose + Pick-up Length	3M

Please note that the details and specifications contained herein are correct at the time of going to print. However CLARKE International reserve the right to change specifications at any time without prior notice.

PARTS LIST

No	DESCRIPTION	PART NUMBER	Qty
1	Main Body	NSSB401	1
2	Inner Nozzle	NSSB402	1
3	Grub Screw	NSSB403	2
4	Nozzle Holder	NSSB404	1
5	Nozzle Hose	NSSB405	1
6	Hose	NSSB406	1
7	Cap Nut	NSSB407	1
8	Spring (Small)	NSSB408	1
9	Air Valve	NSSB409	1
10	Spring (Large)	NSSB410	1
11	Needle	NSSB411	1
12	Flat Washer	NSSB412	1
13	O-Ring	NSSB413	1
14	Sealing Rings	NSSB414	2
15	Sealing Ring	NSSB415	1
-	Pick-up Tube	NSSB416	1



Please read these instructions carefully before operating the tool

Thank you for purchasing this **CLARKE** Spot Blast gun with pick-up hose. Before using the device, please read this manual thoroughly and carefully follow all instructions given. This is for your own safety and that of others around you, and is also to help you achieve long and trouble free service from your new spray gun.

CLARKE GUARANTEE

This CLARKE product is guaranteed against faulty manufacture for a period of 12 months from the date of purchase. Please keep your receipt as proof of purchase.

This guarantee is invalid if the product is found to have been abused or tampered with in any way, or not used for the purpose for which it was intended.

Faulty goods should be returned to their place of purchase, no product can be returned to us without prior permission.

This guarantee does not affect your statutory rights.

Please be aware that certain parts of this spot blast gun will wear, requiring replacement and that these parts may not be covered by your guarantee.

The wear on certain parts depends on the abrasiveness of the materials used.

Replacement parts are available from your nearest Clarke International dealer.

PARTS & SERVICE TEL: 020 8988 7400

or e-mail as follows:

PARTS: Parts@clarkeinternational.com

SERVICE: Service@clarkeinternational.com

SAFETY PRECAUTIONS

⚠ WARNING ⚠

Compressed air can be dangerous. Ensure that you are thoroughly familiar with all precautions relating to the use of compressors and compressed air supply.



For your personal safety and that of others around you. Follow these safety instructions carefully.

NOTE : products used in this spray gun may be covered by COSHH Regulations.

- ✓ **ALWAYS** wear protective gloves and clothing, and a face shield or safety goggles.
NOTE: Spectacles DO NOT give sufficient protection, correct goggles must be worn, although a full face mask is strongly recommended.
- ✓ Dust masks **MUST ALWAYS BE WORN**. Inhaling dust produced by the spot blasting process or the possible inhalation or ingestion of grit is extremely hazardous.
- ✓ **ALWAYS** make sure there is adequate ventilation. Do not spray in confined or enclosed areas.
- ✓ **ALWAYS** disconnect the gun from the air supply when it is not in use, and before any disassembly.
- ✓ **ALWAYS** thoroughly clean the gun after use. See 'Maintenance'
- ✓ **ALWAYS** turn OFF the air supply at the compressor outlet, and expel all air from the air hose and gun, **BEFORE** disconnecting the Spot Blast Gun from the air hose.
- ✓ **ALWAYS** use appropriate air hoses and couplings and ensure that they are in good condition. If any parts are worn or damaged, they should be replaced immediately.
- ✓ **ALWAYS** hold the tool firmly and maintain good balance.
- ✓ **ALWAYS** ensure hose couplings are secure before use.
- ✗ **NEVER** carry the gun by the hose. Keep hoses away from heat, oil and sharp edges.
- ✗ **NEVER** use wet or even damp grit. Ensure the grit is completely dry.
- ✗ **NEVER** operate the gun in the vicinity of an air compressor unless an efficient air filter is fitted. The possibility of grit entering the air compressor cylinder, which would cause serious damage, should not be overlooked.
- ✗ **NEVER** direct the Grit Spray at people or animals.. In the case of injury, seek expert medical advice immediately.
- ✗ **NEVER** allow children to use or play with this appliance.
- ✗ **NEVER** operate the gun at pressures exceeding 100 psi (6.5 bar)

INSTALLATION

1. Connect your Spot Blast Gun to a regulated, dry air supply via the ¼" BSP connector at the base of the handle.
2. The pressure required to operate the gun is determined by the grit size and the finish required e.g.
High Pressure + Coarse Grit = Coarse Finish
Low Pressure + Fine Grit = Fine Finish
3. Insert the metal tube and hose into a container with the appropriate grade of grit for dry blasting, as required.

NOTE: ALWAYS consult the grit manufacturers recommendations for the correct grade of grit to be used. NEVER use wet or damp grit

OPERATION

1. Place the nozzle against a scrap piece of material, and pull the trigger to discharge excessive grit in the feed tube. You could cause damage to the workpiece if you do not carry out this procedure.
2. Hold gun the appropriate distance from the workpiece to be cleaned, (dependent upon the type of material and the size of grit being used), and where possible, perpendicular to the workpiece. Pull the trigger for a few seconds at a time. Check the workpiece frequently.
NOTE: The softer the material the lower the pressure, or the further the gun should be held from the workpiece.
3. Shake the metal pick-up tube frequently when in use, to prevent a cavity forming in the grit container, thereby ensuring that the grit will be drawn up correctly.
The finish left by the spot blast operation should be ideal for immediate priming where required.

MAINTENANCE

WARNING

Disconnect the spray gun from the air supply, and relieve any pressure in the gun and hose, before any disassembly.

NOTE: The numbers in brackets refers to the item nos. in the parts list on page 6

This Spot Blast Gun requires minimum maintenance, and requires no adjustment, as the Air/Grit mix is factory set.

The nozzle (5) is made of hardened steel for long life, but may need replacing from time to time, as indicated by a decrease in performance. Three nozzles are provided. The nozzle is secured with one grub screw (3), which is slackened using the hex. key provided.

Check the Inner nozzle also for wear and replace if badly scored.

Should air leaks become evident, check the air valve. To do this, unscrew and remove the Air Valve Cap (7) and withdraw the valve components, being careful to note their orientation. Ensure the sealing rings are perfectly serviceable. If in doubt, they should be replaced.