

Clarke®



Only suitable for well insulated areas and not designed to be the primary heat source

500W OIL FILLED RADIATOR

MODEL NO: OFR 5/50

PART NO: 6934015

OPERATION & MAINTENANCE INSTRUCTIONS

UK
CA | CE



ORIGINAL INSTRUCTIONS

GC03/23

INTRODUCTION

Thank you for purchasing this CLARKE oil filled radiator.

Before attempting to use this product, please read this manual thoroughly and follow the instructions carefully. In doing so you will ensure the safety of yourself and that of others around you, and you can look forward to your purchase giving you long and satisfactory service.

SPECIFICATION

Model Number	OFR5/50
Operating Voltage and Frequency	230 V @ 50 Hz
Input Power	500 W
Max cut-out temperature	70°
Number of segments	5
IP Rating:	IPX0
Dimensions (W x D x H)	245 x 140 x 385 mm
Weight	2.6 Kg

GUARANTEE

This product is guaranteed against faulty manufacture for a period of 12 months from the date of purchase. Please keep your receipt which will be required as proof of purchase.

This guarantee is invalid if the product is found to have been abused or tampered with in any way, or not used for the purpose for which it was intended.

Faulty goods should be returned to their place of purchase, no product can be returned to us without prior permission.

This guarantee does not effect your statutory rights.

THE FOLLOWING TABLE ADDRESSES THE INFORMATION REQUIREMENTS OF REG.2015/1188

Item	Symbol	Value	Unit
Heat output			
Measured seasonal space heating energy efficiency			36%
Nominal heat output	P_{nom}	0.5	kW
Minimum heat output (indicative)	P_{min}	0.5	kW
Maximum continuous heat output	P_{max}	0.5	kW
Auxiliary electricity consumption			
At nominal heat output	$e_{l_{max}}$	n/a	kW
At minimum heat output	$e_{l_{min}}$	n/a	kW
In standby mode	$e_{l_{SB}}$	0	kW
Type of heat input for electric storage local heaters only			
Manual heat charge control with integrated thermostat			No
Manual heat charge control with room and/or outdoor temperature feedback			No
Electronic heat charge control with room and/or outdoor temperature feedback			No
Fan assisted output			No
Type of heat output/room temperature control (select one)			
Single stage heat output, no temperature control			No
Two or more manual stages, no temperature control			No
With mechanical thermostat temp control			Yes
With electronic temperature control			No
Electronic temperature control with day timer			No
Electronic temperature control with week timer			No
Other control options (multiple selections possible)			
Room temperature control with presence detection			No
Room temperature control with open window detection			No
Room temperature control with distance control option			No
Room temperature control with adaptive start control			No
Room temperature control with working time limitation			No
Room temperature control with black bulb sensor			No

SAFETY ADVICE

Make sure that you read, understand and comply with the following.

The following symbols appear on the unit.

	Hot surface, - do not touch	 DO NOT COVER	Do not cover		Read the manual
---	-----------------------------------	--	-----------------	---	--------------------

GENERAL SAFETY

1. Read these instructions carefully before using the radiator.
2. Before connecting the radiator, check that the voltage indicated on the rating plate corresponds to the mains voltage in your home/office.
3. **AVOID** the use of an extension cable because it may lead to overheating.
4. Only touch the radiator with dry hands.
5. **DO NOT** position the radiator where it can be touched by children, especially the very young.
6. **DO NOT** position the radiator directly under a power socket.
7. **DO NOT** stand on, or drop the radiator and treat it carefully at all times.
8. **DO NOT** use this radiator outdoors.
9. This radiator is **NOT** intended for use in bathrooms, laundry areas and other similar indoor locations. **NEVER** locate radiator where it may fall into the bathtub or other water container.
10. When using the radiator, **DO NOT** place in the immediate surroundings of a shower or swimming pool.
11. Position the radiator in such a manner that the air flow toward the radiator and away from it is not obstructed.
12. The radiator must **NOT** be covered.
13. Allow a safe area around the radiator away from furniture or other objects; at least 20cm from the top and sides and front.
14. **DO NOT** use this radiator when it is lying on its side.
15. If the radiator is tipped over, unplug it and allow it to cool before standing it back up.

16. **DO NOT** use the radiator in rooms with explosive gas (e.g. petrol) or while using inflammable glue or solvent (e.g. when gluing or varnishing parquet floors, PVC etc)
17. Extra caution is necessary when the radiator is used near children or when it is left unattended.
18. Keep the mains cable at a safe distance from the main body of the radiator.
19. **DO NOT** hang anything in front of or above the radiator.
20. If overheating should occur, the built-in overheating safety device will switch off the radiator.
21. **DO NOT** use aerosols, flammable substances or materials sensitive to heat in the flow of hot air.
22. Should the radiator stop working, first check the fuse in the plug or fuse in the circuit breaker at the distribution board is operating, before contacting the manufacturer or its service agent or a similarly qualified person in order to avoid a hazard.
23. If the supply cable or plug is damaged, it must be replaced by the manufacturer.
24. Repairs that require opening of the radiator body (like oil leakage) are only to be made by the manufacturer or his service agent.
25. The radiator contains no user serviceable parts.
26. When scrapping the radiator at the end of its life, follow the regulations concerning the disposal of oil.

ENVIRONMENTAL RECYCLING POLICY



Through purchase of this product, the customer is taking on the obligation to deal with the WEEE in accordance with the WEEE regulations in relation to the treatment, recycling & recovery and environmentally sound disposal of the WEEE.

In effect, this means that this product must not be disposed of with general household waste. It must be disposed of according to the laws governing Waste Electrical and Electronic Equipment (WEEE) at a recognised disposal facility.

ELECTRICAL CONNECTIONS



WARNING: READ THESE ELECTRICAL SAFETY INSTRUCTIONS THOROUGHLY BEFORE CONNECTING THE PRODUCT TO THE MAINS SUPPLY.

Before switching the product on, make sure that the voltage of your electricity supply is the same as that indicated on the rating plate. This product is designed to operate on 230VAC 50Hz. Connecting it to any other power source may cause damage.

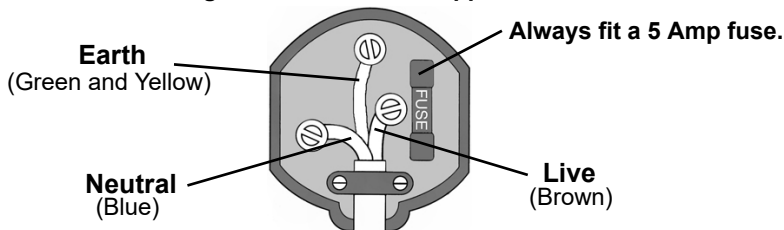
This product may be fitted with a non-rewireable plug. If it is necessary to change the fuse in the plug, the fuse cover must be refitted. If the fuse cover becomes lost or damaged, the plug must not be used until a suitable replacement is obtained.

If the plug has to be changed because it is not suitable for your socket, or due to damage, it should be cut off and a replacement fitted, following the wiring instructions shown below. The old plug must be disposed of safely, as insertion into a mains socket could cause an electrical hazard.

If the colours of the wires in the power cable of this product do not correspond with the markings on the terminals of your plug, proceed as follows.

- The **Blue** wire must be connected to the terminal marked **N** or coloured **Black**.
- The **Brown** wire must be connected to the terminal marked **L** or coloured **Red**.
- The **Yellow and Green** wire must be connected to the terminal marked **E** or \perp or coloured **Green**.

Plug must be BS1363/A approved.



Ensure that the outer sheath of the cable is firmly held by the clamp

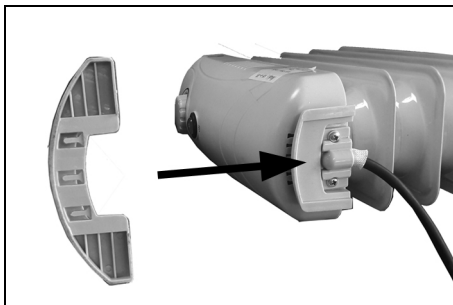
We strongly recommend that this machine is connected to the mains supply via a Residual Current Device (RCD).

If in any doubt, consult a qualified electrician. **DO NOT** attempt any repairs yourself.

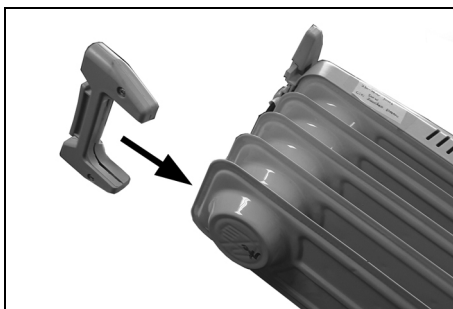
ASSEMBLY

The feet for the radiator are supplied loose in the packaging and require fitting.

1. Slide the front foot onto the base plate until it clips into place.



2. Slide the rear foot onto the rear fin of the heater. The fin will slide into the slot in the foot.



OPERATION

SETTING THE TEMPERATURE

1. Plug the radiator into the mains supply and switch the unit on.
2. The hottest setting will be when the thermostat is set to "HIGH", the coolest, when it is set to "LOW".

NOTE: The first time the radiator is used there may be an odor that will disappear after approximately 30 minutes of operation.



POSITIONING

1. DO NOT operate the radiator unless it is placed in an upright position.
2. Select an indoor location for the radiator away from electrical cables, drapes and other furnishings.
3. DO NOT place radiator directly beneath an electrical outlet, against paper board or low density fibreboard.

SAFETY SHUT OFF

Your oil filled radiator is fitted with a safety overheat device which switches off the radiator in the event of overheating caused by any fault condition which induces a rapid temperature rise.

In the event of the safety overheat device operating, the radiator will cease to function until the temperature falls below the cut off point. If this happens again have your radiator serviced by an approved service agent.

The safety device supplied must never be replaced by anyone other than an approved service agent.

MAINTENANCE

CLEANING

The radiator may require occasional cleaning to ensure best performance.

1. ALWAYS turn off and unplug the radiator from the mains supply and allow it to cool before cleaning.
2. Use a damp cloth to remove dust and dirt. **DO NOT** allow water to enter the electrical components of the radiator.
3. Ensure the radiator is dry before plugging back into the mains supply.

STORAGE

Unplug the radiator and ensure that the plug does not trail on the floor where it could be damaged.

If the radiator is not going to be used for long periods, it should be stored in a dry place and preferably covered to prevent the accumulation of dust and dirt.

DECLARATION OF CONFORMITY - UKCA



Clarke[®]
INTERNATIONAL

Hemnal Street, Epping, Essex, CM16 4LG

DECLARATION OF CONFORMITY

This is an important document and should be retained.

We hereby declare that this product(s) complies with the following legislation:

Electromagnetic Compatibility Regulations 2016

Electrical Equipment (Safety) Regulations 2016

The Restriction of the Use of Certain Hazardous Substances in Electrical and Electronic Equipment Regulations 2012

The Eco-Design for Energy Related Products and Energy Information (Amendment) (EU Exit) Regulations 2019

The following standards have been applied to the product(s):

EN 55014-1:2017+A11:2020, EN 55014-2:2015, EN IEC 61000-3-2:2019,

EN 61000-3-3:2013+A1:2019, EN 60335-2-30:2009+A11:2012+A1:2020+A12:2020,

EN 60335-1:2012+AC:2014+A11:2014+A13:2017+A1:2019+A14:2019+A2:2019, EN 62233:2008,

EN 62321-3-1:2013, EN 62321-4:2013, EN 62321-5:2013, EN 62321-6:2015, EN 62321-7-1:2015,

EN 62321-7-2:2017, EN 62321-8:2017, EN 60675:1995+A1:1998+A2:2018+A11:2019,

EN 50564:2011

The technical documentation required to demonstrate that the product(s) meet(s) the requirement(s) of the aforementioned legislation has been compiled and is available for inspection by the relevant enforcement authorities.

The UKCA mark was first applied in: 2023

Product Description: 500W Oil Filled Radiator
Model Number(s): OFR 5/50
Serial/Batch Number: Refer to product/package label
Date of Issue: 28/02/2023

Signed:

J.A Clarke

Director

DECLARATION OF CONFORMITY - CE



Clarke[®]
INTERNATIONAL

Fitzwilliam Hall, Fitzwilliam Place, Dublin 2

DECLARATION OF CONFORMITY

This is an important document and should be retained.

We hereby declare that this product(s) complies with the following legislation:

2014/30/EU	<i>Electromagnetic Compatibility Directive</i>
2014/35/EU	<i>Low Voltage Directive</i>
2011/65/EU	<i>Restriction of the Use of Certain Hazardous Substances in Electrical and Electronic Equipment Directive</i>
2009/125/EC	<i>Eco-Design Directive (EU 2015/1188)</i>

The following standards have been applied to the product(s):

EN 55014-1:2017+A11:2020, EN 55014-2:2015, EN IEC 61000-3-2:2019,
EN 61000-3-3:2013+A1:2019, EN 60335-2-30:2009+A11:2012+A1:2020+A12:2020,
EN 60335-1:2012+AC:2014+A11:2014+A13:2017+A1:2019+A14:2019+A2:2019, EN 62233:2008,
EN 62321-3-1:2013, EN 62321-4:2013, EN 62321-5:2013, EN 62321-6:2015, EN 62321-7-1:2015,
EN 62321-7-2:2017, EN 62321-8:2017, EN 60675:1995+A1:1998+A2:2018+A11:2019,
EN 50564:2011

The technical documentation required to demonstrate that the product(s) meet(s) the requirement(s) of the aforementioned legislation has been compiled and is available for inspection by the relevant enforcement authorities.

The CE mark was first applied in: 2023

Product Description:	500W Oil Filled Radiator
Model Number(s):	OFR 5/50
Serial/Batch Number:	Refer to product/package label
Date of Issue:	28/02/2023

Signed:

J.A Clarke

Director

ALTERNATIVE PRODUCTS FROM THE CLARKE RANGE



1 DEVIL 370SPD

2 DEVIL 370PD

3 DEVIL 6003

4 DEVIL 6009

5 DEVIL 6015

1 - 5 Devil Series Industrial Electric Heaters

Rugged fan heaters, ideal for small to medium sized premises such as workshops, garages, industrial units, factories & warehouses. ♦ Tough steel cabinet with durable enamelled finish ♦ Encapsulated stainless steel heating elements ♦ Insulated handles for safe handling ♦ Safety thermostat guards against overheating ♦ Adjustable heat output with thermostat to achieve desired room temperature.

Glow is for illustration purposes only.

Mains Connecting Leads for Devil Electric Fan Heaters

6 DCL16A

16amp. lead for 5kW & 9kW heaters. Part No. 6925232

7 DCL32A

32amp. lead for 15kW heaters. Part No 6925237



Model	1 370SPD	2 370PD	3 DEVIL 6003	4 DEVIL 6009	5 DEVIL 6015
Voltage	230v 1ph	230v 1ph	230v 1ph	400v 3ph	400v 3ph
Heat Output	2.8 kW	2.8 kW	1.5-3kW	4.5-9kW	5-10-15kW
Air Output			512m ³ /H	773m ³ /H	1559m ³ /H
Weight kg	13.8	16	5.5	9	14.4
Dims LxWxH mm	630x610x810	560x490x870	295x265x425	350X335X465	400X345X535
Part No.	6920259	6920257	6925220	6925230	6925235

1 XR60



2 XR80



1 - 5 Paraffin/Diesel Fired Space Heaters

This superb new range is ideal for fast, efficient heating in warehouses, factories, automotive workshops etc.

- ♦ Variable heat control with thermostat - heater cycles on/off as heat is required
- ♦ Wheels & handles included on all models (No wheels on XR60)
- ♦ Big fuel tanks - up to 53 litres ♦ Greater run times - up to 13.5 hours operation
- ♦ Stainless Steel combustion chamber ♦ Direct fired paraffin or diesel
- ♦ Highly efficient air & fuel filters ensure long term reliability
- ♦ 230v/1phase ♦ Automatic flame failure cut out



4 XR160



3 XR110



5 XR210

- 1 - 5
- ✓ Thermostatic On/Off Control
 - ✓ Variable Heat Output

Model	Max kW	Max BTU/HR	Tank Cap.	Approx hrs per Tank	Dimensions LxWxH (mm)	Wt. kg	Part No.
1 XR60	14.7	50,000	15 litres	9	774x300x388	12.4	6931002
2 XR80	20.5	70,000	22.7 litres	12	830x410x648	17.6	6931004
3 XR110	29.3	100,000	32 litres	11	905x413x700	19.8	6931006
4 XR160	46.9	160,000	53 litres	13	1045x528x692	26.1	6931008
5 XR210	61.5	210,000	53 litres	13.5	1030x523x692	26.2	6931012

Other heaters in stock include: Quartz Halogen, Infra-Red, Ceramic and Gas.

A SELECTION FROM THE VAST RANGE OF

Clarke®

QUALITY PRODUCTS



AIR COMPRESSORS

From DIY to industrial, Plus air tools, spray guns and accessories.

GENERATORS

Prime duty or emergency standby for business, home and leisure.

POWER WASHERS

Hot and cold, electric and engine driven - we have what you need

WELDERS

Mig, Arc, Tig and Spot. From DIY to auto/industrial.

METALWORKING

Drills, grinders and saws for DIY and professional use.

WOODWORKING

Saws, sanders, lathes, mortisers and dust extraction.

HYDRAULICS

Cranes, body repair kits, transmission jacks for all types of workshop use.

WATER PUMPS

Submersible, electric and engine driven for DIY, agriculture and industry.

POWER TOOLS

Angle grinders, cordless drill sets, saws and sanders.

STARTERS/CHARGERS

All sizes for car and commercial use.

PARTS & SERVICE:

0208 988 7400

Parts Enquiries

Parts@clarkeinternational.com

Servicing & Technical Enquiries

Service@clarkeinternational.com

SALES: UK 01992 565333 or Export 00 44 (0)1992 565335

Clarke INTERNATIONAL Hemnall Street, Epping, Essex CM16 4LG
www.clarkeinternational.com