

Charbro®



**This product is only suitable for well insulated areas
and is not designated to be the primary heat source**

2KW ELECTRIC FAN HEATER

MODEL NO: DEVIL 2000PTC-B

PART NO: 6925591

OPERATION & MAINTENANCE INSTRUCTIONS



ORIGINAL INSTRUCTIONS

GC03/23

INTRODUCTION

Thank you for purchasing this CLARKE product. Please read this manual carefully, in doing so you guarantee the safety of yourself and that of others around you, and you can look forward to your purchase giving you long and satisfactory service.

GUARANTEE

This product is guaranteed against faulty manufacture for a period of 12 months from the date of purchase. Please keep your receipt as proof of purchase.

This guarantee is invalid if the product is found to have been abused, tampered with, or not used for the purpose for which it was intended. Faulty goods must be returned to their place of purchase, no product can be returned to us without prior permission.

This guarantee does not effect your statutory rights.

PRODUCT SPECIFICATIONS

Product: Depth x Width x Height	210 x 160 x 217 mm
Product weight	1.6 kg
Operating Voltage and Frequency: (V / Hz)	230 V / 50Hz
Required power; Fan only	0.11 A
Fan& heat setting 1	4.94 A
Fan& heat setting 2	8.89 A
Operating Temperature: (Min/Max) (°C):	-15 to 25°C
Heat Output: (kW): Fan only	0.025 W
Fan& heat setting 1	1 kW
Fan& heat setting 2	2 kW
Max Air Output: (m ³ /h)	197m ³ /h
Safety Device:	Thermal cut-out
Duty Cycle Classification:	S1 Continuous duty
Electrical Insulation Class	I
Ingress Protection rating	IP20

THE FOLLOWING TABLE ADDRESSES THE INFORMATION REQUIREMENTS OF REG.2015/1188

Item	Symbol	Value	Unit
Heat output			
Measured seasonal space heating energy efficiency			36%
Nominal heat output	P_{nom}	2.0	kW
Minimum heat output (indicative)	P_{min}	1.0	kW
Maximum continuous heat output	P_{max}	2.0	kW
Auxiliary electricity consumption			
At nominal heat output	eI_{max}	n/a	kW
At minimum heat output	eI_{min}	n/a	kW
In standby mode	eI_{SB}	n/a	kW
Type of heat input for electric storage local heaters only			
Manual heat charge control with integrated thermostat			No
Manual heat charge control with room and/or outdoor temperature feedback			No
Electronic heat charge control with room and/or outdoor temperature feedback			No
Fan assisted output			No
Type of heat output/room temperature control (select one)			
Single stage heat output, no temperature control			No
Two or more manual stages, no temperature control			No
With mechanical thermostat temp control			Yes
With electronic temperature control			No
Electronic temperature control with day timer			No
Electronic temperature control with week timer			No
Other control options (multiple selections possible)			
Room temperature control with presence detection			No
Room temperature control with open window detection			No
Room temperature control with distance control option			No
Room temperature control with adaptive start control			No
Room temperature control with working time limitation			No
Room temperature control with black bulb sensor			No

SAFETY

Make sure that you read, understand and comply with the following guidance. These safety symbols should appear on the heater.

	Hot Surface, Do Not Touch		Read the manual	 DO NOT COVER	Do Not Cover
---	------------------------------	---	--------------------	--	--------------

GENERAL

- **DO NOT** operate the heater when you are tired or under the influence of alcohol, drugs or intoxicating medication.
- **DO NOT** stand on the heater.
- **DO NOT** use the heater with wet hands or when there is water on the power cable.
- Turn the heater off when not in use and keep it in a safe, dry, childproof location.
- The heater is designed to heat enclosed areas such as workshops and other industrial areas. **DO NOT** use the heater for any other function. It is not suitable for drying clothes or laundry.

ELECTRICAL SAFETY

- Regularly inspect the power cable / plugs for damage/looseness. **DO NOT** use the heater if the power cable is damaged.
- Minimise the risk of electric shock by installing a RCCB (Residual Current Circuit Breaker) and a suitable isolator into the main distribution board.
- Make sure that the voltage on the rating label is the same as the voltage of the power supply. If in doubt, consult a qualified electrician.
- **DO NOT** abuse the electrical cable. **DO NOT** use the cable for pulling or unplugging the heater.
- Keep the cable away from sources of heat, oil, sharp edges or moving parts. Damaged or tangled cables increase the risk of electric shock.
- **DO NOT** use extension cables with this heater.

POSITIONING



WARNING: DO NOT USE THE HEATER NEAR FLAMMABLE MATERIAL, LIQUIDS, SOLIDS, GASSES OR COMPRESSED GAS CYLINDERS ETC.

- This heater is designed for indoor use only.
- **DO NOT** place the heater close to a bath, wash basin, shower, swimming pool or any other water-filled area or wet surface. **DO NOT** place the heater against any surface such as a wall, door or furniture etc.
- **DO NOT** place the heater immediately below any electrical outlet.
- **NEVER** place the heater near combustible materials etc. Allow 2 metres clearance all round this heater.
- **DO NOT** place the heater on a raised surface or anywhere it could topple over.
- Take care to ensure that the grille cannot be blocked.
- **DO NOT** operate fan heater in explosive atmospheres such as in the presence of flammable liquids, gasses or dust such as in a paint spray booth, or any explosive environment. Electric motors create sparks which may ignite dust or fumes.

OPERATION

- The heater must only be used by people who have read these instructions and have been trained in its use.
- **DO NOT** obstruct the air inlet and outlet sections of the heater.
- **DO NOT** cover the heater.
- **DO NOT** touch the heater casing or grille when first switched off, as these will be very hot and will take time to cool.
- **DO NOT** get the heater wet or use in areas of high condensation.
- **DO NOT** allow the power lead to touch hot surfaces.
- **DO NOT** connect other appliances to the same mains socket as the heater.
- Only use the heater in a level position.
- **DO NOT** use this heater with a programmable timer used to switch it on automatically.

ELECTRICAL CONNECTIONS



WARNING: READ THESE ELECTRICAL SAFETY INSTRUCTIONS THOROUGHLY BEFORE CONNECTING THE HEATER TO THE MAINS SUPPLY.

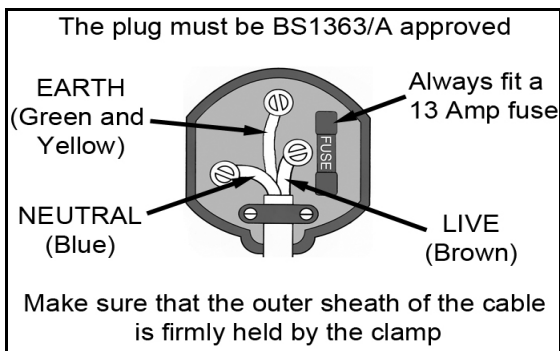
Before switching the product on, make sure that the voltage of your electricity supply is the same as that indicated on the rating plate. Connecting it to any other power source may cause damage.

If it is necessary to change the fuse in the plug, the fuse cover must be refitted. If the fuse cover becomes lost or damaged, the plug must not be used until a suitable replacement is obtained.

If the plug has to be changed due to damage, a replacement should be fitted, following the wiring instructions shown below. The old plug must be disposed of as insertion into a mains socket could cause an electrical hazard.

If the colors of the wires in the power cable of this product do not correspond with the markings on the terminals of your plug, proceed as follows.

- The **Blue** wire must be connected to the terminal which is marked **N** or coloured **Black**.
- The **Brown** wire must be connected to the terminal which is marked **L** or coloured **Red**.
- The **Yellow/Green** wire must be connected to the terminal which is marked **E** or coloured **Green**.



We strongly recommend that this machine is connected to the mains supply via a Residual Current Device (RCD)

If in any doubt, consult a qualified electrician. DO NOT attempt any repairs yourself.

OPERATION



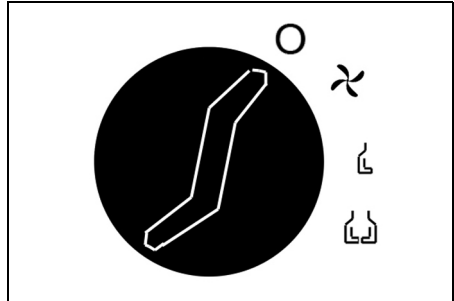
WARNING: DO NOT USE THIS HEATER IN SMALL ROOMS WHEN THEY ARE OCCUPIED BY PERSONS NOT CAPABLE OF LEAVING THE ROOM ON THEIR OWN, UNLESS CONSTANT SUPERVISION IS PROVIDED.



CAUTION: PARTS OF THIS HEATER CAN BECOME VERY HOT AND CAUSE BURNS. PARTICULAR ATTENTION HAS TO BE GIVEN WHERE CHILDREN AND VULNERABLE PEOPLE ARE PRESENT.

1. Place the heater in a level position on a flat surface and at a safe distance from flammable materials. Keep 2m clearance all round.
2. Connect the heater to a suitable power supply.
3. Set the thermostat control to the maximum setting (fully clockwise).
4. Set the mode selector to one of the following settings:

	Off
	Fan Only
	Fan + Heat Setting 1
	Fan + Heat Setting 2

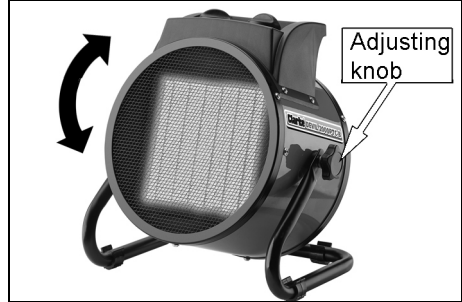


- The heater will take up to three minutes to reach optimum temperature.
5. Once the room reaches the required temperature, turn the thermostat control slowly counter-clockwise until the thermostat clicks, leave the control in this position.
 - The room temperature will be maintained at this setting. The heater will continue to operate until the power switch is turned to the OFF position.

6. For fan only operation, turn the power switch to the fan only setting and set the thermostat to its minimum setting.
7. When not in use, disconnect the heater from the mains supply. Store it in a safe, dry, childproof location.

ADJUSTING THE ANGLE

1. Loosen both adjusting knobs.
2. Adjust to the required angle.
3. Retighten the adjusting knobs.



THERMOSTATIC PROTECTION

The Devil 2000PTC has a thermal cut out to prevent it from overheating.

If the temperature of the front grille gets too high the thermal cutout will turn off the heating elements. When the fan has cooled the unit sufficiently, normal operation will resume.

FAULTFINDING

Problem	Possible Cause	Remedy
Heater does not operate, although plugged in with the switch and thermostat switched on.	Plug is loose/bad connection.	Pull the plug out & check the connection of the plug and socket.
	Fuse blown or circuit breaker trips.	Replace if necessary and investigate cause. If fuse blows repeatedly, consult your Clarke dealer.
	No power at socket	Insert the plug in a functioning socket
Heating element glowing hot.	Input voltage too high.	Use a power supply in accordance with the rating on the label.
	Air inlet grille is blocked	Ensure the heater is kept away from any objects which could cover the air inlet or be drawn into it.
Heater has failed to heat up so only the air fan has operated.	Control switch not set at a "HEATING" level.	Turn switch to a heating level.
	Thermostat has tripped.	Turn the thermostat and listen. If there is no CLICK and the thermostat is not damaged, the heater will automatically switch ON when it has cooled down.
Abnormal noise	Heater is not level.	Stand heater on a level surface

MAINTENANCE



WARNING: SERVICING OR INTERNAL MAINTENANCE MUST ONLY BE CARRIED OUT BY THE CLARKE SERVICE DEPARTMENT.

WARNING: ALWAYS DISCONNECT FROM THE POWER SUPPLY AND ALLOW THE HEATER IT TO COOL DOWN BEFORE PERFORMING ANY MAINTENANCE TASKS.

- Check that the heater is in good working order. Take immediate action to repair or replace damaged parts.
- **DO NOT** allow the heating elements to become covered with dust which could become a fire hazard. If used in a dusty workplace it should be cleaned after every use with a dust extractor.
- **ONLY** recommended parts should be used. Unapproved parts may be dangerous and will invalidate the warranty.
- **DO NOT** attempt to repair a damaged heater, contact the CLARKE service department.
- Clean the heater with a soft damp cloth once cold. **DO NOT** use solvents or abrasives
- No other maintenance is required, should you discover any problem with the heater, return it to the CLARKE service department for repair.

SERVICE & REPAIRS

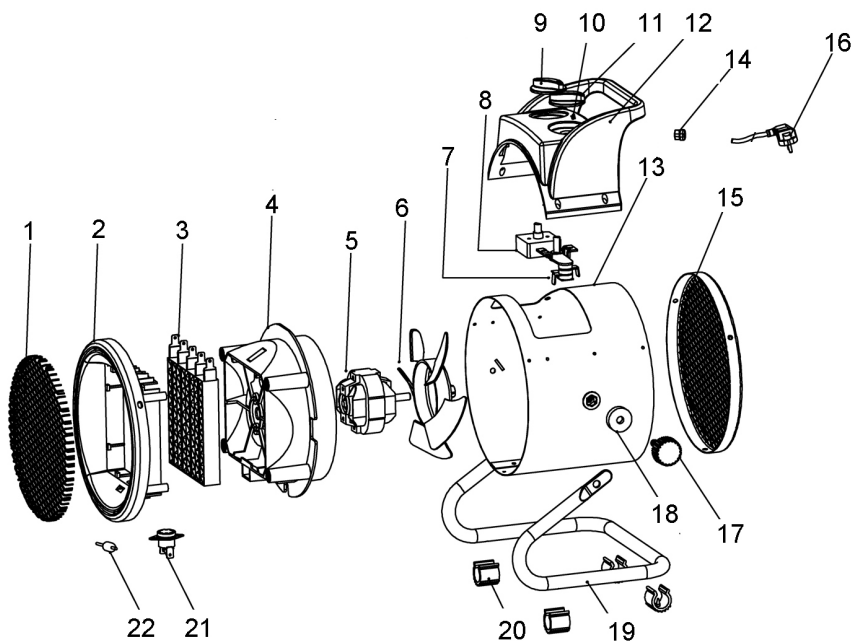
Have your heater repaired by a qualified person using identical replacement parts. This will ensure that the safety of the heater is maintained.

ENVIRONMENTAL RECYCLING POLICY

Through purchase of this product, the customer is taking on the obligation to deal with the WEEE in accordance with the WEEE regulations in relation to the treatment, recycling & recovery and environmentally sound disposal of the WEEE.

- In effect, this means that this product must not be discarded with general household waste. It must be discarded according to the laws governing Waste Electrical and Electronic Equipment (WEEE) at a recognized disposal facility.

COMPONENT PARTS



NO	DESCRIPTION
1	Front Grille
2	Air Outlet
3	PTC Heating Element
4	Air Flue
5	Motor
6	Fan
7	Adjustable Thermostat
8	Rotary Switch
9	Control Knob
10	Indicator Lamp Cover
11	Thermostat Knob

NO	DESCRIPTION
12	Control Box
13	Outer Casing
14	Cable Fastener
15	Back Grill
16	Power Cable
17	Screw
18	Rubber Gasket
19	Steel Pipe
20	Feet
21	Self-Setting Thermostat
22	Thermal Protection

DECLARATIONS OF CONFORMITY



Fitzeilom Hall, Fitzwilliam Place, Dublin 2

DECLARATION OF CONFORMITY

This is an important document and should be retained.

We hereby declare that this product(s) complies with the following legislation:


- 2009/28/EC *Ecodesign Directive*
- 2014/30/EU *Electromagnetic Compatibility Directive*
- 2014/35/EU *Low Voltage Directive*
- 2011/65/EU *Restriction of the Use of certain Hazardous Substances in Electrical and Electronic Equipment (RoHS) Directive*

The following standards have been applied to the product(s):

- EN 50564:2011, EN 60675:1995+A1:1998+A2:2018+A11:2019, EN IEC 55014-1:2021, EN IEC 55014-2:2021, EN IEC 61000-3-2:2019A1:2021, EN 61000-3-3:2013A1:2019, EN 60335-2-30:2009A12:2020, EN 60335-1:2012A15:2021, EN 62233:2008, EN 62321-1:2013, EN 62321-2:2014, EN 62321-3-1:2014, EN 62321-4:2014A1:2017, EN 62321-5:2014, EN 62321-6:2015, EN 62321-7-1:2015, EN 62321-7-2:2017, EN 62321-8:2017

The technical documentation required to demonstrate that the product(s) meet(s) the requirement(s) of the aforementioned legislation has been compiled and is available for inspection by the relevant enforcement authorities.

The CE mark was first applied in: 2017

Product Description: 2.0 kW Ceramic PTC Fan Heater
Model Number(s): DEVIL 2000PTC-B
Serial/Batch Number: Refer to product/packaging label
Date of Issue: 02/02/2023
Signed: 

J.A. Clarke
Director

DEVIL 2000PTC-B CE Clarke DOC 020223

Page 1 of 1



Hemmill Street, Epping, Essex, CM1 16 4LG

DECLARATION OF CONFORMITY

This is an important document and should be retained.

We hereby declare that this product(s) complies with the following legislation:


- The *Ecodesign for Energy-related Products Regulations 2010*
- Electromagnetic Compatibility Regulations 2016*
- Electrical Equipment (Safety) Regulations 2016*
- The Restriction of the Use of Certain Hazardous Substances in Electrical and Electronic Equipment Regulations 2012*

The following standards have been applied to the product(s):

- EN 50564:2011, EN 60675:1995+A1:1998+A2:2018+A11:2019, EN IEC 55014-1:2021, EN IEC 55014-2:2021, EN IEC 61000-3-2:2019A1:2021, EN 61000-3-3:2013A1:2019, EN 60335-2-30:2009A12:2020, EN 60335-1:2012A15:2021, EN 62233:2008, EN 62321-1:2013, EN 62321-2:2014, EN 62321-3-1:2014, EN 62321-4:2014A1:2017, EN 62321-5:2014, EN 62321-6:2015, EN 62321-7-1:2015, EN 62321-7-2:2017, EN 62321-8:2017

The technical documentation required to demonstrate that the product(s) meet(s) the requirement(s) of the aforementioned legislation has been compiled and is available for inspection by the relevant enforcement authorities.

The UKCA mark was first applied in: 2021

Product Description: 2.0 kW Ceramic PTC Fan Heater
Model Number(s): DEVIL 2000PTC-B
Serial/Batch Number: Refer to product/packaging label
Date of Issue: 02/02/2023
Signed: 

J.A. Clarke
Director

DEVIL 2000PTC-B UKCA Clarke DOC 020223

Page 1 of 1

A SELECTION FROM THE VAST RANGE OF

Clarke®

QUALITY PRODUCTS



AIR COMPRESSORS

From DIY to industrial, Plus air tools, spray guns and accessories.

GENERATORS

Prime duty or emergency standby for business, home and leisure.

POWER WASHERS

Hot and cold, electric and engine driven - we have what you need

WELDERS

Mig, Arc, Tig and Spot. From DIY to auto/industrial.

METALWORKING

Drills, grinders and saws for DIY and professional use.

WOODWORKING

Saws, sanders, lathes, mortisers and dust extraction.

HYDRAULICS

Cranes, body repair kits, transmission jacks for all types of workshop use.

WATER PUMPS

Submersible, electric and engine driven for DIY, agriculture and industry.

POWER TOOLS

Angle grinders, cordless drill sets, saws and sanders.

STARTERS/CHARGERS

All sizes for car and commercial use.



PARTS & SERVICE: 0208 988 7400

Parts Enquiries
Parts@clarkeinternational.com

Servicing & Technical Enquiries
Service@clarkeinternational.com

SALES: UK 01992 565333 or Export 00 44 (0)1992 565335

Clarke INTERNATIONAL Hemnall Street, Epping, Essex CM16 4LG
www.clarkeinternational.com