

# CLARKE®



## TOOL TROLLEY

Model No: CTT130

Part No: 7630625

## ASSEMBLY INSTRUCTIONS

---

## INTRODUCTION

---

Thank you for purchasing this CLARKE Tool Trolley.

Before attempting to assemble the trolley, be sure to read these instructions thoroughly. In doing so you will ensure the safety of yourself and that of others around you, and you can look forward to the trolley giving you long and satisfactory service.

## GUARANTEE

This CLARKE product is guaranteed against faulty manufacture for a period of 12 months from the date of purchase. Please keep your receipt as proof of purchase. This guarantee is invalid if the product is found to have been abused or tampered with in any way, or not used for its intended purpose.

Faulty goods should be returned to their place of purchase, no product can be returned to us without prior permission. This guarantee does not effect your statutory rights.

---

## SPECIFICATIONS

---

Feature	Specification
Product Weight	26.7 kg
Total Rated Load Capacity	130 kg
Dimensions (L x W x H )	705 x 370 x 830 mm
Overall span with top lids open	1200 mm
Top Tray Storage Compartment	695 x 360 x 150 mm

---

## UNPACKING & SAFETY PRECAUTIONS

---

Carefully remove the trolley components from the packaging and check for any damage which may have occurred in transit.

Before assembling, please check contents against the following list of loose items on page 4, and advise your Clarke dealer immediately if any parts are missing. The keys to the top drawer locks should be found taped inside the unit.

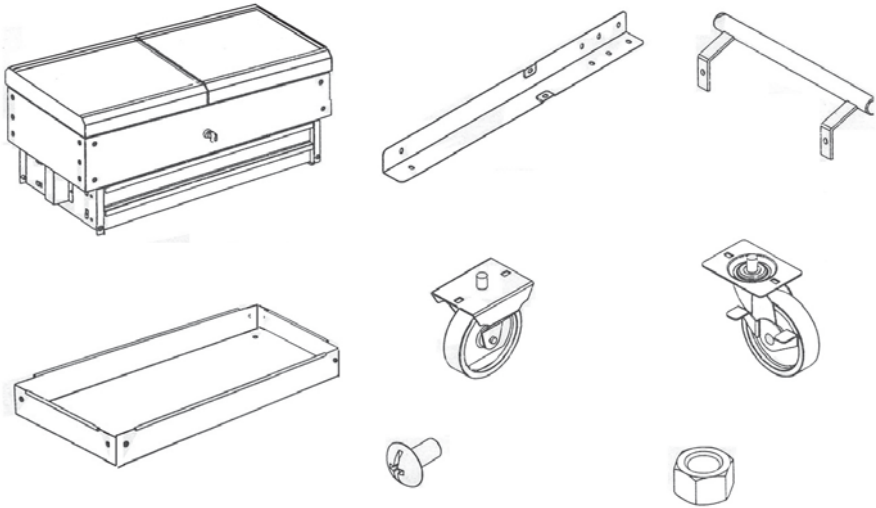
### TOOLS REQUIRED

- Screwdriver
- 19 mm wrench

### SAFETY PRECAUTIONS

- **Do not** leave the trolley unattended without the brakes being applied.
- **Do not** use on rough terrain. The trolley is designed for use on smooth level flooring.
- **Do not** allow children to play with or ride on the trolley.
- **Do not** leave the trolley on any steep inclines.
- **Do not** use the trolley if any of the castors are damaged; have them replaced immediately.
- **Always** ensure the load is favourably distributed, i.e. with heavy items on the lower storage levels.
- Do not stack objects on an open drawer.
- Not following these instructions could result in the trolley falling over, causing damage to the unit and/or serious personal injury. Always follow the safety cautions & warnings given on page 7.

# COMPONENT PARTS

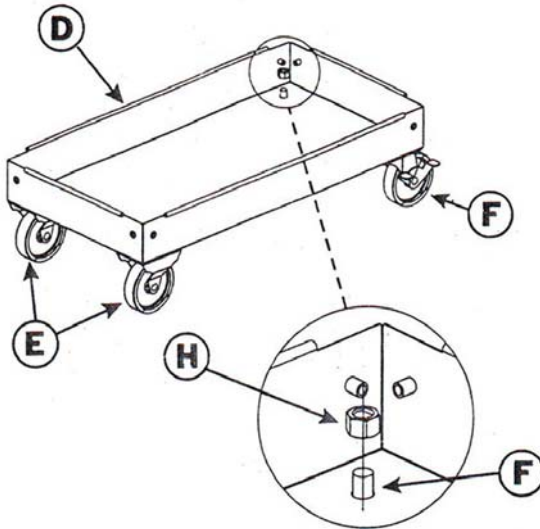


	Description	Qty
A	Upper Tray Assembly	1
B	Leg	4
C	Handle	1
D	Bottom Tray	1

	Description	Qty
E	Fixed Castor Wheel	2
F	Swivelling/Locking Wheel	2
G	Screws	30
H	Nut	4

# ASSEMBLY

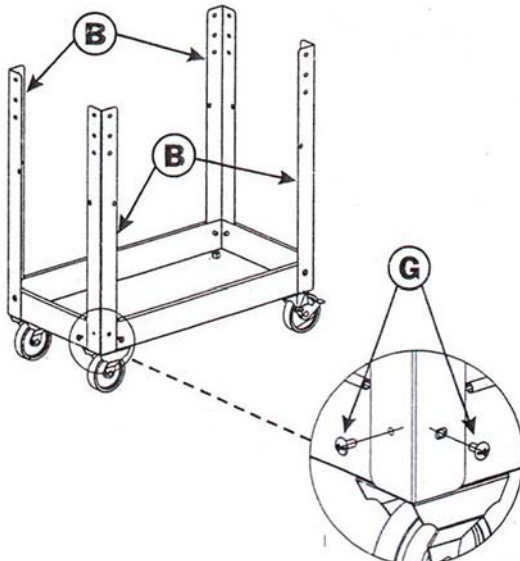
## STEP 1



Attach the wheels to the bottom tray using 4 nuts and tighten firmly.

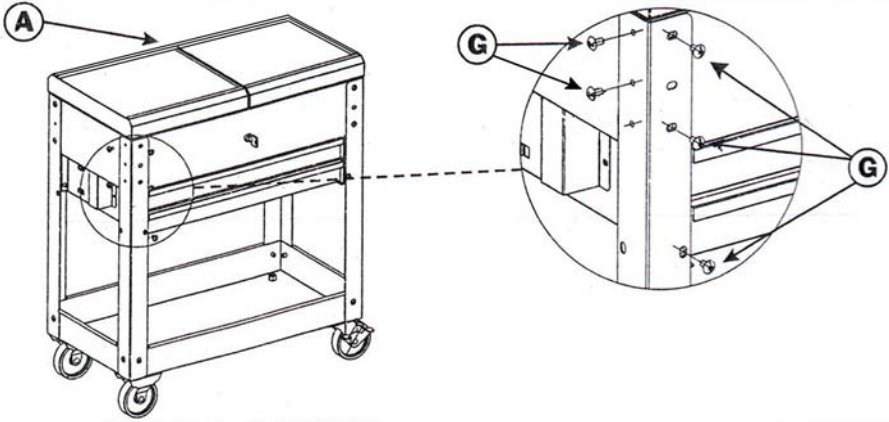
**NOTE:** Make sure you attach the same type of wheel (fixed/ swivelling) to the same end of the tray. (i.e.use only E at one end and F at the other)

## STEP 2



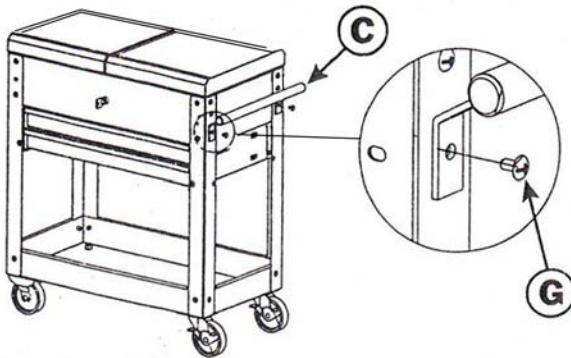
Attach the legs to the bottom tray using two screws per leg. Only tighten to a snug fit at this stage.

### STEP 3



Turn the upper tray upside down on a soft, smooth surface. Turn the bottom tray upside down and attach all four legs. Firmly tighten all the screws and turn the trolley upright.

### STEP 4



The handle can be attached to either side using two screws.

**Note:** If the middle of the two fixing holes is used, the opening draw will be too close to the operators knuckles. Therefore, use the lower holes to provide suitable clearance.

## BEFORE USE

The sliding top sections must be open before the tool draws can be opened. Close the sliding top sections before using the key provided to lock the drawers. Only one drawer can be opened at a time.

## DURING USE

Close the top trays before locking with the key provided. The draws are held closed until the left-hand tray is opened. Always close the lid and the draws before moving the trolley.



**CAUTION: DO NOT PUT HEAVY OBJECTS ON THE EXTENDED TOP TRAYS WHEN THEY ARE FULLY OPEN.**

---



**CAUTION: TAKE CARE OPENING A DRAWER IF HEAVY TOOLS ARE STORED INSIDE AS THIS COULD CREATE A RISK OF THE UNIT TIPPING OVER.**

---



**CAUTION: ALWAYS APPLY THE BRAKES ON EACH REAR CASTER WHEN THE TOOL TROLLEY IS NOT BEING MOVED AROUND. TAKE EXTRA CARE WHEN MOVING THE UNIT AROUND IF THE FLOOR SURFACE IS NOT FLAT.**

---



**WARNING: NEVER EXCEED THE MAX LOAD CAPACITY AS THIS COULD DAMAGE THE UNIT OR CAUSE PERSONAL INJURY.  
TOTAL TROLLEY LOAD = 130KG.**

---

# A SELECTION FROM THE VAST RANGE OF

# Clarke®

## QUALITY PRODUCTS

### AIR COMPRESSORS

From DIY to industrial, Plus air tools, spray guns and accessories.

### GENERATORS

Prime duty or emergency standby for business, home and leisure.

### POWER WASHERS

Hot and cold, electric and engine driven - we have what you need

### WELDERS

Mig, Arc, Tig and Spot. From DIY to auto/industrial.

### METALWORKING

Drills, grinders and saws for DIY and professional use.

### WOODWORKING

Saws, sanders, lathes, mortisers and dust extraction.

### HYDRAULICS

Cranes, body repair kits, transmission jacks for all types of workshop use.

### WATER PUMPS

Submersible, electric and engine driven for DIY, agriculture and industry.

### POWER TOOLS

Angle grinders, cordless drill sets, saws and sanders.

### STARTERS/CHARGERS

All sizes for car and commercial use.



**PARTS & SERVICE: 020 8988 7400**  
E-mail: [Parts@clarkeinternational.com](mailto:Parts@clarkeinternational.com) or [Service@clarkeinternational.com](mailto:Service@clarkeinternational.com)

**SALES: UK 01992 565333 or Export 00 44 (0)1992 565335**

**Clarke** INTERNATIONAL Hemnall Street, Epping, Essex CM16 4LG  
[www.clarkeinternational.com](http://www.clarkeinternational.com)