

# Clarke<sup>TM</sup>

## WELDING CART

Model No: GWC1

Part No: 6601995

Thank you for purchasing this Welding Cart, specifically designed for use with MIG welders, to provide a more compact unit and improve mobility in and around the workshop.

Please read the following instructions carefully and ensure that anyone using this unit is fully aware of the precautions to be taken when it is put to use. **NOTE: 10mm spanners are required to assemble this cart.**

### SAFETY PRECAUTIONS

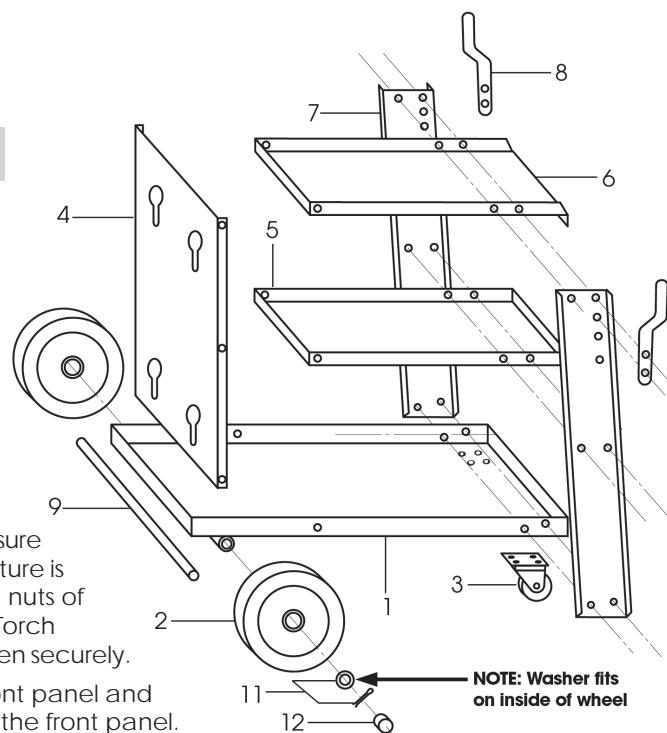
- Ensure the welder and gas bottle plus any tools are completely secure before transporting.
- Be aware that the cart could become top heavy, depending upon the tools carried etc.
- Tighten the cylinder chains as tightly as possible to prevent the cylinders from moving during transit.
- NEVER attach the welders earth lead to the cart....a proper earth is vital to the welding process.
- Use the cart on flat, smooth surfaces only.
- DO NOT position cart on sloped surfaces.
- NEVER pull cart by the welder leads

### ASSEMBLY

1. Slide the axle through the housing in the bottom tray, and slide on to each end, a flat washer, followed by a wheel and finally secure using the split pin provided.
2. Fit the casters to the bottom tray using four nuts, bolts and washers provided.
3. Fit the side supports to the bottom tray in the manner shown in the illustration.
4. Fit the middle and top trays to the side support, loosely, then attach the front panel.

Before tightening the nuts, shake the structure to ensure that no part is under stress, then, ensuring the structure is square, tighten all nuts, except the top right hand nuts of the side supports. Remove these and attach the Torch Assembly Brackets, then replace the nuts and tighten securely.

5. The gas bottle sits in the tray, supported by the front panel and secured by chains, entered in the slotted holes in the front panel.



### SPARE PARTS

No:	Description	Part No:
1	Bottom Tray	QGGWC101
2	Wheel	QGGWC102
3	Caster	QGGWC103
4	Front Panel	QGGWC104
5	Middle Tray	QGGWC105
6	Top Tray	QGGWC106

No:	Description	Part No:
7	Side Support	QGGWC107
8	Torch Assy Bracket	QGGWC108
9	Axle	QGGWC109
-	Nuts bolts and washers	N/A
11	Flat Washer and Split pin	N/A
12	Plastic Cap	QGGWC112

For Spare Parts, contact your local CLARKE dealer, or Clarke International on: 020 8988 7400

