



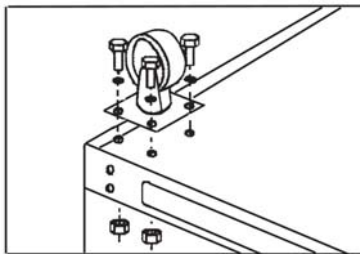
TOOL CHEST/CABINET SET

Model No. CTB5C

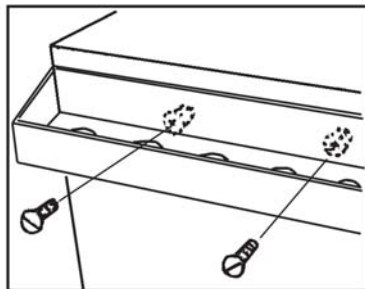
Part No:7638255

Assembly Instructions

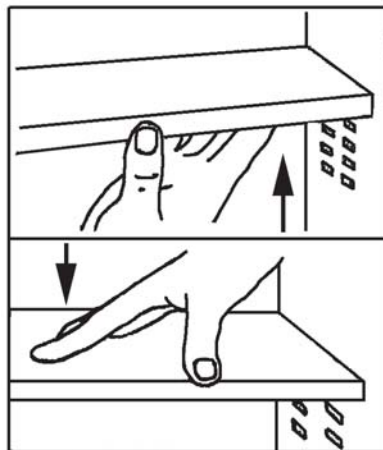
1. Lay the cabinet on its back while mounting the castors. Take each castor and attach to the holes in the cabinet base using the nuts, bolts and washers supplied as shown in the illustration.



2. Attach the Side Accessory Tray to the side of the cabinet using the machine screws, as shown in the illustration. A small socket adaptor will be useful for this.

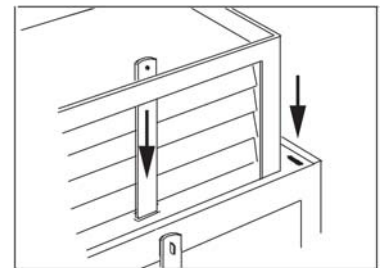


3. There are four shelf positions inside the cabinet. Choose the position and height you prefer and hook each end of the shelf over the tabs on the side of the cabinet. Make sure all tabs are secure.



4. The Hanger Hooks fit into the holes inside the cabinet door.
5. To secure the cabinet, hook the locking bar into the slot in the centre of the base and engage the other end with the hasp at the top of the cabinet. When not in use, the bar can be stored in the slot at the side of the cabinet. A suitable padlock will be required.

6. To secure the drawers, pass the drawer locking bar through the slot in the centre of the top compartment and slip the other end into the slot in the base of the unit. Close the lid and secure the chest using the hasp on the lid. A suitable padlock will be required.

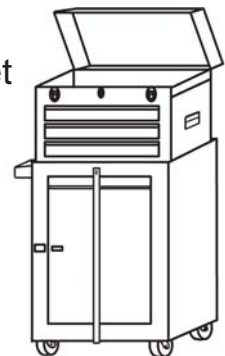


This CLARKE product is guaranteed against faulty manufacture for a period of 12 months from the date of purchase. Please keep your receipt as proof of purchase. This guarantee is invalid if the product is found to have been abused or tampered with in any way, or not used for its intended purpose. Faulty goods should be returned to their place of purchase, no product can be returned to us without prior permission. This guarantee does not effect your statutory rights.

PARTS LIST

For complete assembly, your Tool Chest/Cabinet includes the following parts:

- | | |
|------------------------------------|--------------------------------|
| 1 - Bottom Cabinet | 1 - Top Chest (inside cabinet) |
| 1 - Cabinet Shelf (inside cabinet) | 1 - Side Accessory Tray |
| 4 - Castors | 2 - Long Machine Screws |
| 16 - Short Machine Screws | 6 - Hanger Hooks |
| 16 - Nuts | 1 - Cabinet Locking Bar |
| 16 - Flat Washers | 1 - Drawer Locking Bar |
| 16 - Spring Washers | |



PARTS AND SERVICE

Should any of the above parts be missing or if you experience difficulty in assembling this tool chest/cabinet, please contact your local dealer or Clarke International on the following numbers - Tel: **020 8588 7400** or e-mail **service@clarkeinternational.com**

A SELECTION FROM THE VAST RANGE OF

Clarke®

QUALITY PRODUCTS

AIR COMPRESSORS

From DIY to industrial, Plus air tools, spray guns and accessories.

GENERATORS

Prime duty or emergency standby for business, home and leisure.

POWER WASHERS

Hot and cold, electric and engine driven - we have what you need

WELDERS

Mig, Arc, Tig and Spot. From DIY to auto/industrial.

METALWORKING

Drills, grinders and saws for DIY and professional use.

WOODWORKING

Saws, sanders, lathes, mortisers and dust extraction.

HYDRAULICS

Cranes, body repair kits, transmission jacks for all types of workshop use.

WATER PUMPS

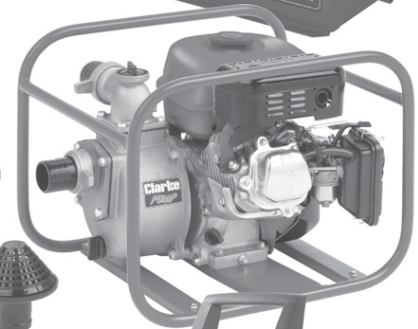
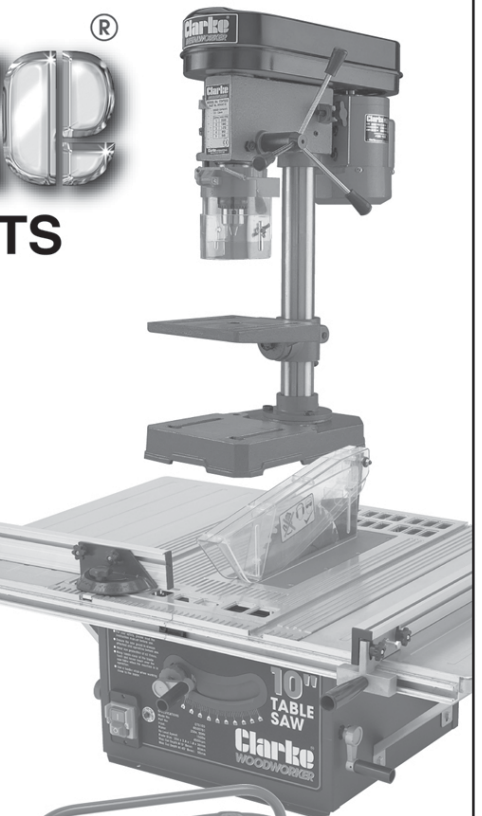
Submersible, electric and engine driven for DIY, agriculture and industry.

POWER TOOLS

Angle grinders, cordless drill sets, saws and sanders.

STARTERS/CHARGERS

All sizes for car and commercial use.



PARTS & SERVICE: 0208 988 7400

E-mail: Parts@clarkeinternational.com or Service@clarkeinternational.com

SALES: UK 01992 565333 or Export 00 44 (0)1992 565335

Clarke® INTERNATIONAL Hemnall Street, Epping, Essex CM16 4LG
www.clarkeinternational.com